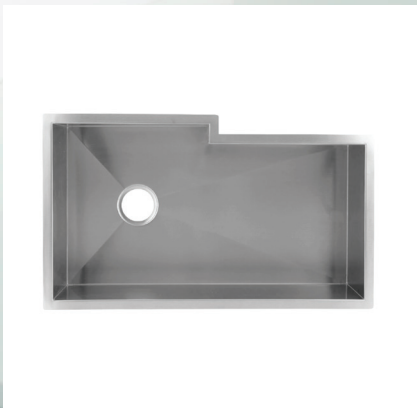
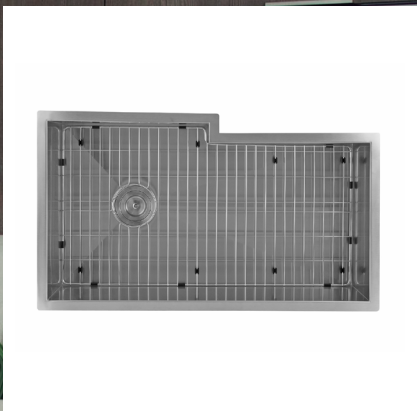




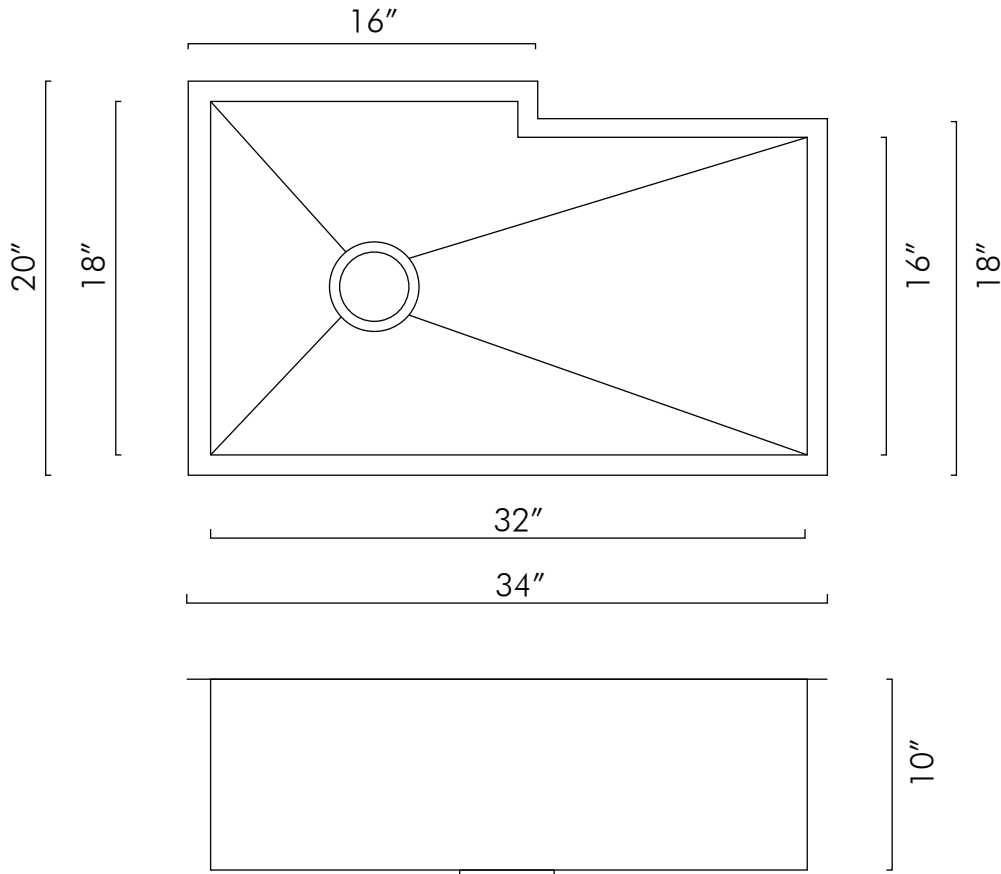
DAX-SQ-3420F



UNDERMOUNT KITCHEN SINKS **SERIES**



www.daxib.com



FEATURES

- Handmade sink
- 0mm radius corner
- Undermount
- 304 Stainless Steel
- 16 gauge
- Brushed Stainless Steel
- Size W 34" x H 20" x D 10"
- Standard 3-1/2" drain opening
- Undercoated and sound pads
- Mounting clips and cutting template

ACCESSORIES

- Bottom grid included
- Stainless steel basket strainer (1 pc included)
- Stainless steel standard strainer not included (available)
- Round stainless steel colander included
- Square stainless steel colander not included (available)
- Grey silicone dish rack not included (available)





KITCHEN SINK DAX-SQ-3420F

LEFT INNER BASIN HEIGHT (in)	18"
RIGHT INNER BASIN HEIGHT (in)	16"
INNER BASIN WIDTH (in)	32"
TOP INNER BASIN WIDTH	16"
HEIGHT	20"
WIDTH	34"
DEPTH	10"
BOTTOM GRIDS INCLUDED	Yes
BASIN SPLIT	No
BASKET STRAINER INCLUDED	Yes
COLANDER INCLUDED	Yes
DRAIN CONNECTION	3-1/2"
DRAIN PLACEMENT	Left
FARMHOUSE	No
FAUCET HOLES	No
GAUGE	16
INSTALLATION TYPE	Undermount
MATERIAL	304 Stainless Steel
MINIMUM CABINET SIZE	X
MOUNTING HARDWARE INCLUDED	Yes
NUMBER OF BASINS	1
SINK SHAPE	Rectangular
SOUND DAMPENING	Yes
STAINLESS STEEL GRADE	304
UPC APPROVED	Yes
SINK FINISH TYPE	Brushed

For parts or sale requirements please contact our customer service department:

 CS@daxib.com

 1 888 685 8236

